

### MECHANICAL SPECIFICATIONS

**FIXTURE (WITH YOKE)      BOXED FOR SHIPPING**

**Dimensions:**

mm: 293 x 585 x 701

in: 11.5 x 23.0 x 27.6

**Dimensions:**

mm: 506 x 657 x 910

in: 20 x 26 x 36

**Fixture Weight:** 25.9 kg (56 lb)

**Shipping Weight:** 36 kg (79 lb)

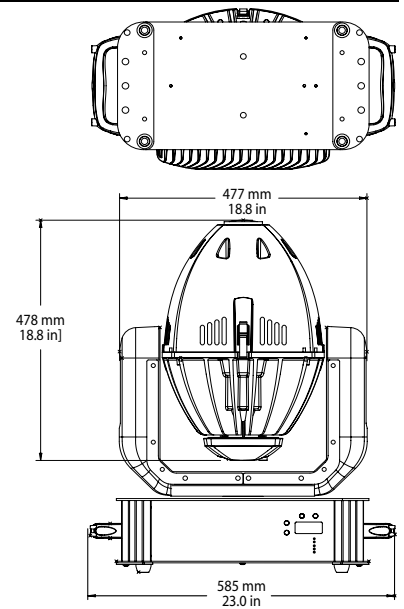
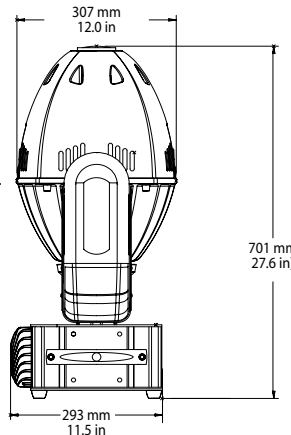
**Mounting Information:** Mount the Studio Spot 575 fixture by attaching suitable clamps with locking washers through the center holes on the base.

Cheeseborough truss clamps and ½" nut/bolt sets may be purchased separately.

The fixture can also stand on its rubber feet on a sturdy, stable surface.

**Colors Available:** Black

**Turning Radius:** 22 in (558 mm)



### ELECTRICAL SPECIFICATIONS/LIGHT SOURCE

**Power Consumption:** 100V 50HZ @ 7.0A  
 230V 50HZ @ 3.0A  
 100V 60HZ @ 7.0A  
 230V 60HZ @ 3.0A

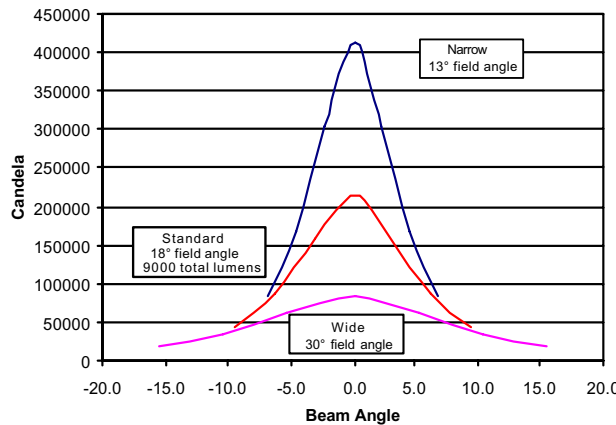
**Rated Power:** 700W maximum

**Power Factor:** 0.96 @ 230V/50Hz  
 0.99 @ 100 V/60Hz

**Lamp Options:** MSR 575/2 or optional MSD 575 for longer lamp life

**Lamp Specification:**

Lamp	ColorTemp	Lamp Life	Light Output
MSR 575/2	6200K	500-750 hrs	9000 lumens
MSD 575	5600K	3000 hrs	7500 lumens



**Center Beam Candela:** 220,000  
**Beam Angle Degrees:** 10  
**Field Angle Degrees:** 18

$$\text{Illuminance} = \frac{\text{Candela}}{\text{Distance}^2}$$

Throw	Center Beam	Beam Diameter	Field Diameter
5	8,800	0.9	1.6
10	2,200	1.7	3.2
15	978	2.6	4.8
20	550	3.5	6.3
25	352	4.4	7.9
30	244	5.2	9.5
35	180	6.1	11.1
40	138	7.0	12.7
45	109	7.9	14.3
50	88	8.7	15.8
55	73	9.6	17.4
60	61	10.5	19.0
65	52	11.4	20.6
70	45	12.2	22.2
75	39	13.1	23.8
80	34	14.0	25.3
85	30	14.9	26.9
90	27	15.7	28.5
95	24	16.6	30.1
100	22	17.5	31.7

Note:

For Metric figures, read "Center Beam" values in lux, and the throw and diameters in meters.

For US figures, read "Center Beam" values in footcandles, and the throw and diameters in feet.

### OPERATION

**Pan:** 370°

**Tilt:** 255°

**Field Angle:** 13° (optional), 18° or 30° (optional)

**Compliances:** CE, CETL, and ETL compliant.

**Software Upgrades:** Download operating software from the High End Systems website ([www.highend.com](http://www.highend.com)) and upload using Echo Software

**Environmental Specifications:**

Maximum Ambient Temperature (T<sub>a</sub>): 40°C (104° F)

Maximum Exterior Surface Temperature: 200°C (392°F)

Maximum winding temperature, T<sub>w</sub>: 130°C (266°F)

Maximum capacitor temperature, T<sub>c</sub>: 85°C (185°F)

**Minimum Focus Distance:** 1 m (3.9 ft)

### PART NUMBERS

**Fixtures**

39010002 - Studio Spot 575 Automated Luminaire, w/lamp

**Accessories**

39060001 - Studio Spot 575 13° Narrow Angle Lens Assembly

39060002 - Studio Spot 575 18° Standard Angle Lens Assembly

39060003 - Studio Spot 575 30° Wide Angle Lens Assembly

**Lamps**

55030052 - Studio Spot 575 Replacement Lamp, Philips MSR 575-2

55030050 - Studio Spot 575 Replacement Lamp, Philips MSD 575

**Flight cases**

39070001 - Road Case, Studio Spot, Single Fixture

39070002 - Road Case, Studio Spot, Dual Fixtures

## DMX Control

**Control Options:** DMX-512, On Board Programming/Playback, Internal Effects

**Address Methods:** LED Display, Fixture Talkback.

**DMX/RDM Data Connectors:** 3-pin male and female XLR connectors

**DMX Channels:** 24

**Fixtures per Universe:** 21

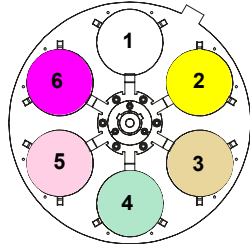
**Internal Preset Scene Memory:** 1 bank, 16 scenes

## DMX Channels

Channel	Function	Channel	Function
1	Pan	13	Litho Wheel 2 Function
2		14	Litho Wheel 2 Position
3	Tilt	15	Litho Wheel 2 Rotation
4		16	
5	Color Wheel 1 Function	17	Frost (Variable)
6	Color Wheel 1 Position	18	Focus
7	Color Wheel 2 Function	19	Iris
8	Color Wheel 2 Position	20	Shutter (mechanical strobe)
9	Litho Wheel 1 Function	21	Dim
10	Litho Wheel 1 Position	22	Motor Speed
11	Litho Wheel 1 Rotation	23	Factory Macros
12		24	Control

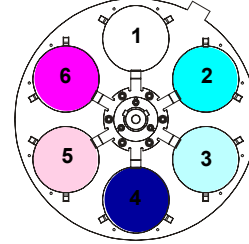
### Color Wheel 1

Position	Description
1	Open
2	Yellow
3	CTO
4	Aqua
5	Pink
6	Magenta



### Color Wheel 2

Position	Description
1	Open
2	Cyan
3	Light Cyan
4	Indigo
5	Pink
6	Magenta



### Litho Wheel 1

Position	Description
1	Open
2	Triwing
3	Lava
4	Hollywood Stars
5	Wavy Tunnel
6	Shatters



### Litho Wheel 2

Position	Description
1	Open
2	Lenticular Effect Glass
3	Wide Slow Effect Glass
4	Building Blocks
5	Jax
6	Gatlin Gun



### Lithopattern Specifications

**Resolution:** 300 d.p.i.

**Diameter:** 1.435 in ± 0.006 in (36.449 mm ± 0.15 mm)

**Image area:** 1.250 in ± 0.010 in (31.750 mm ± 0.25 mm)

**Thickness:** 0.070 in ± 0.010 in (1.778 mm ± 0.25 mm)

### Dichroic Glass Specifications

**Diameter:** 1.745in ± 0.010in (44.323mm ± 0.25mm)

**Thickness:** 0.070in ± 0.010in (1.778mm ± 0.25mm)

### Effects Glass Specifications

**Diameter:** 1.430 in ± 0.125 in ± 0.010 in (3.175 mm ± 0.25 mm)

**Image Area:** 1.250 in ± 0.010 in (31.750 mm ± 0.25 mm)

**Thickness:** 0.125 in ± 0.010 in (3.175 mm ± 0.25 mm)

© 2009, Barco Lighting Systems, Inc. All specifications subject to change without notice

### Barco Lighting Systems, Inc.

2105 Gracy Farms Lane

Austin, TX 78758 USA

voice:512.836.2242

fax:512.837.5290

Toll Free: 800.890.8989

### Customer Service

2105 Gracy Farms Lane

Austin, TX 78758 USA

voice:800.890.8989

fax: 512.834.9195

Toll free: 800.890.8989